

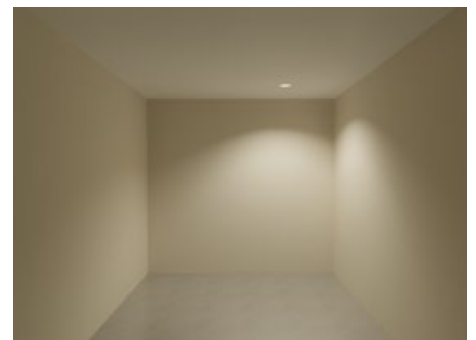
Pleiad G3

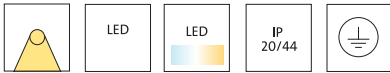


Pleiad G3 is the third generation of Fagerhult's successful downlight range – now equipped with LED. In common with its predecessors, the focus was placed upon perfect light treatment, quick installation and efficiency. In G3 these concept has been taken to the next level, automatic installation!

The energy efficiency and long lifespan of LEDs come at the price of higher demands on the distribution and shielding, as a result of the increased light intensity. To combat these issues G3 was developed using an innovative reflector technology, fully exploiting the efficiency of LEDs, without affecting the lighting ergonomics. The family contains numerous options for different light distributions, complemented by an extensive range of practical and decorative accessories.

Speed and ease of installation has long been synonymous with the Pleiad range and G3 takes this one step further. The luminaire can be installed without any manual effort. The housing needs only be placed in the right position and then installed automatically with the help of gravity technology. The rapid installation, combined with high efficiency and long life, ensures Pleiad G3 is an economical choice with a beneficial pay-off time.





Pleiad SLD G3



Installation

Recessed mounting in unventilated or ventilated ceilings. Separate ballast and installation clip for easy and tool-free installation supplied as standard. An assembly plate must be used when mounting on soft tile ceilings.

Connection

Connections are made to an independent LED ballast. The luminaire is delivered with the interconnecting cable with snap-in release in ballast.

Design

Luminaire body in black cast aluminium. Visible reflector ring in white PC plastic (RAL 9003).

Reflector

Reflector in either specular or Matte anodised aluminium. Bright metallised Advanced Anti-Glare Control ring above the LED module. Mechanical shielding 45°.

Miscellaneous

The luminaire is supplied with dust protection over the light opening. Enclosure class IP 44 beneath suspended ceilings and IP 20 above suspended ceilings.

Luminaire			
LED-module, lm, W	Colour temp., K	Specular	Matt
1100, 12	3000	77950	77951
1100, 11	4000	77952	77953
2000, 24	3000	77955	77956
2000, 22	4000	77957	77958
2000, 30	2700–6500	77975	77976

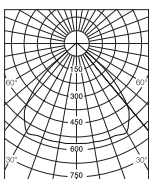
For current information on output and luminous flux, see www.fagerhult.com.

Information LED-Luminaire				Suffix code
Colour temp. (CCT)	Ra (CRI)	Life	Colour quality	
3000 K	≥ 80	L ₇₀ 50.000 h	MacAdam 3 SDCM	■ -365 TouchDIM/DALI
4000 K	≥ 80	L ₇₀ 50.000 h	MacAdam 3 SDCM	

Suffix code

■ -365 TouchDIM/DALI

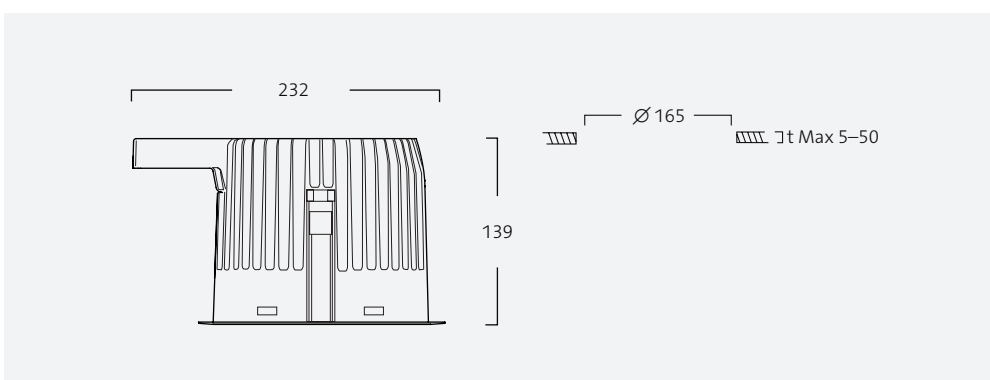
Add suffix code to the end of the luminaire part number to indicate required function.



Specular reflector



Assembly spring is released with a simple action.



Effective glare control mounted to the reflector.



Pleiad Compact G3



Installation

Recessed mounting in unventilated or ventilated ceilings. Separate ballast and installation clip for easy and tool-free installation supplied as standard. An assembly plate must be used when mounting on soft tile ceilings.

Connection

Connections are made to an independent LED ballast. The luminaire is delivered with the interconnecting cable with snap-in release in ballast.

Design

Luminaire body in black cast aluminium. Visible reflector ring in white PC plastic (RAL 9003).

Reflector

Reflector in either specular or Matte anodised aluminium. Bright metallised Advanced Anti-Glare Control ring above the LED module. Mechanical shielding 25°.

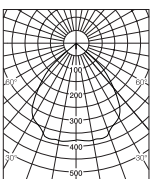
Miscellaneous

The luminaire is supplied with dust protection over the light opening. Enclosure class IP 44 beneath suspended ceilings and IP 20 above suspended ceilings.

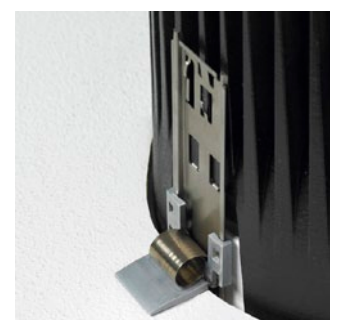
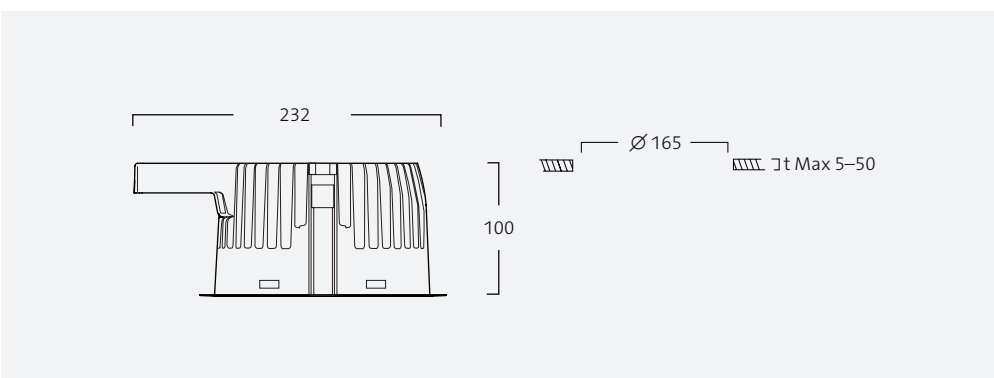
Luminaire			
LED-module, lm, W	Colour temp., K	Specular	Matt
1100, 12	3000	77930	77931
1100, 11	4000	77932	77933
2000, 24	3000	77935	77936
2000, 22	4000	77937	77938

For current information on output and luminous flux, see www.fagerhult.com.

Information LED-Luminaire				Suffix code	
Colour temp. (CCT)	Ra (CRI)	Life	Colour quality		
3000 K	≥ 80	L ₇₀ 50.000 h	MacAdam 3 SDCM	■ -365 TouchDIM/DALI	
4000 K	≥ 80	L ₇₀ 50.000 h	MacAdam 3 SDCM	Add suffix code to the end of the luminaire part number to indicate required function.	



Specular reflector



Assembly spring clamped in position.



Pleiad Compact Basic G3



Installation

Recessed mounting in unventilated or ventilated ceilings. Separate ballast and installation clip for easy and tool-free installation supplied as standard. An assembly plate must be used when mounting on soft tile ceilings.

Connection

Snap-in terminal block $3 \times 2.5 \text{ mm}^2$, through-wiring is possible. Alternative connection with cord and plug or snap-in connector.

Design

Luminaire body in black cast aluminium. Visible reflector ring in white PC plastic (RAL 9003).

Reflector

Reflector in either specular or Matte anodised aluminium. Bright metallised Advanced Anti-Glare Control ring above the LED module. Mechanical shielding 25° .

Miscellaneous

LED module includes ballast and can easily be changed with a bayonet feature. The luminaire is supplied with dust protection over the light opening.

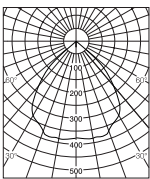
Luminaire			
LED-module, lm, W	Colour temp., K	Specular	Matt
1100, 20	3000	77880	77881
1100, 18	4000	77882	77883

For current information on output and luminous flux, see www.fagerhult.com.

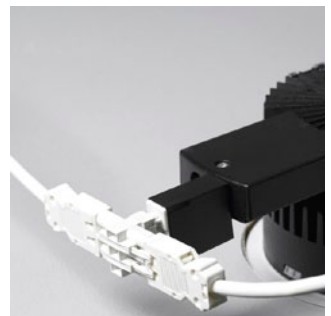
Information LED-Luminaire			
Colour temp. (CCT)	Ra (CRI)	Life	Colour quality
3000 K	≥ 80	$L_{70} 50.000 \text{ h}$	MacAdam 5 SDCM
4000 K	≥ 80	$L_{70} 50.000 \text{ h}$	MacAdam 5 SDCM

Suffix code	
-03	Connection cable with earthed plug, RKK $3 \times 0.75 \text{ mm}^2$, L=2.5 m.
-111	Wieland GST18i3 (3-way). One outlet socket.

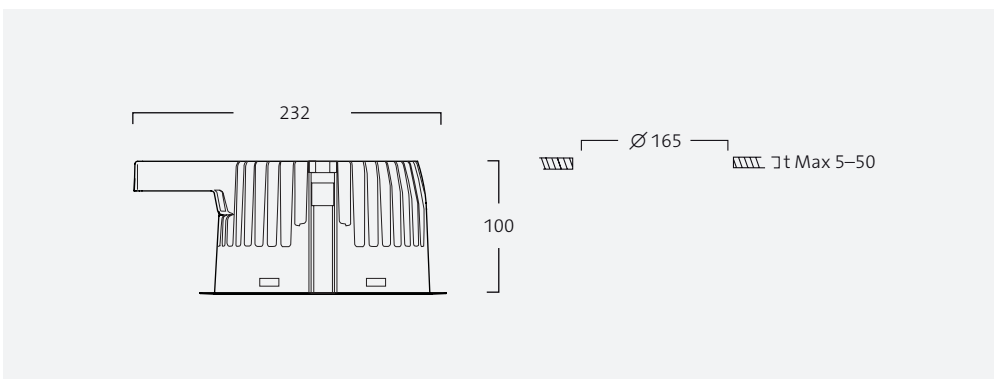
Add suffix code to the end of the luminaire part number to indicate required function Only one suffix can be added.



Specular reflector



Pleiad Compact Basic G3 can be supplied with snap-in connector.



LED module includes ballast and can easily be changed using the bayonet mount.